



# Introducing Tristone UK

Full Product Catalogue

## Contents

- 4 About Us
- 5 Why Choose Tristone UK?
- 6 Our Product Portfolio
- 7 Features of Tristone®
- 8-17 Tristone® Solid Surfaces
  - What is Tristone®?
  - Your Tristone® Creation
  - Colours of Tristone®
  - Non UK Colours of Tristone®
  - Technical Specifications & Data Tables
  - Warranty Information
- 18-19 Fortis 38mm Kitchen Worktops
  - Product Specifications
  - Warranty Information
- 20-23 Cast Sinks and Bowls
  - Models
- 24-27 Bekjo® Stainless Steel Sinks
  - Features of Bekjo®
  - Product Specifications
  - Models
  - Care and Maintenance
- 28-37 Thermoformed Sinks and Bowls
  - Sinks Models
  - Bowls Models
  - Basins Models
  - Warranty Information
- 38-39 Accessories





# **WORK TOGETHER, WIN TOGETHER**

## **About Us**

Established in 2001, Tristone UK Limited is the sole distributor of Tristone® Solid Surface sheets. We also offer Fortis® 38mm pre-formed worktops, a wide selection of sinks and bowls, colour match adhesives and accessories. We firmly believe in providing the best quality products at competitive prices.

We aim to work closely with clients, offering full support through the supply of samples, literature, technical assistance, customer care and project support. As well as offering practical advice to fulfill every requirement for the solid surface market.

Based in Stockton-On-Tees, we have a wealth of experience, and have built up trust within the industry due to our commitment to offering the best and personal service to all our customers.

# Why Choose Tristone UK?

## because we believe in quality...

We know the solid surfacing market changes frequently as design trends change. We work to bring in new colours and products to stay ahead of trends. We pride ourselves in providing high quality products, and we aim to go above and beyond to provide the best service for our customers.

Over the years, we have refined and perfected the Tristone® colours we offer. With over 40 Tristone® colours as part of UK stock, the colours were carefully selected to simplify the process of choosing the colour of your Tristone® creation.

The three cornerstone objectives of our business are to provide high quality products and services at competitive prices.

### Quality

- Class O Warrington Fire Certified
- GreenGuard Certified
- Made in Korea

### Service

- Fast delivery times
- Quick response to enquiries
- Display support
- Professional technical information
- Project Management
- Fabrication Training

### Price

- **Save up to 40% per sheet<sup>1</sup>**
- Monthly discounts available<sup>2</sup>  
Subject to terms and conditions (see below)
- Project pricing available

<sup>1</sup> This is based on a comparison between Tristone and a leading competitor and is valid as of April 2018.

<sup>2</sup> Monthly discounts are available to customers subject to terms and conditions via our Pallet Points scheme. For full terms and conditions, go to: <http://www.tristonesurfaces.eu/pallet-points-terms>

## Our Product Portfolio



Tristone® is an acrylic solid surface, the ideal material that combines practicality, durability, and elegance. It is the perfect material that enables you to create a one-of-a-kind design for limitless self expression and design possibilities.

### Hygienic

Tristone's non-porous acrylic surface allows for seamless joins. Seamless joins mean it can fend off mildew, bacteria and other harmful germs and is stain resistant.

### Practical

Tristone® is the bespoke choice of the practical minded individual, providing a surface that is both durable and easy to maintain. It comes in a variety of colours at a competitive prices. It also offers more practicality when it comes to maintenance and is much easier to repair.

### Fortis Pre Formed 38mm Worktops

Fortis®: Pre-formed worktops offer all the best qualities of a solid surface material for your kitchen or bathroom. There are 8 colours available in our Fortis® worktop range. Fortis® is made up of 6mm Tristone® Solid Surface material on moisture resistant MDF, which gives your kitchen or bathroom a bespoke quality look and feel.



### Our Cast Sinks and Bowls

Our Cast Sinks and Bowls are available in various models. They are not only premium quality but are bacterial resistant, easy to clean and maintain.

They can be under-mounted which gives you a perfectly integrated bathroom design.



### Stainless Steel Sinks by Bekjo

Bekjo stainless steel sinks are handmade and produced to the highest manufacturing standards. The sinks are made from premium grade 1.2mm POSCO steel which offers a consistent and luxurious appearance whilst also bringing innovations to make your kitchen and your home more hygienic and beautiful.



### Thermoformed Sinks and Bowls by Tristone UK

Thermoformed sinks and bowls are made with Tristone® solid surface sheets, which allows your design to be fully integrated and seamless.

Note: we do not guarantee batch match.

# Features of Tristone®

## Seamless Joins

The colour is maintained throughout the sheet. This means that joint lines will be difficult to spot when installed by an approved Tristone fabricator.



## Heat Resistance

Tristone® solid surfaces are resistant to heat<sup>1</sup>. This means that induction hobs and gas hobs can be integrated into the surface.



## Colour Match Products

We offer Tristone® colour match sinks & bowls to give an integrated continuous flow of colour in your design<sup>2</sup>.



## Future-Proof

Change the way you see surfaces by integrating upcoming technologies such as wireless charging and pop up plug sockets into the surface.

The limitless design potential of Tristone® means it is future-proof. Offering the flexibility that comes with solid surface products at an affordable price.



<sup>1</sup>We do not recommend the placing of hot items on the surface for prolonged periods.

<sup>2</sup>We do not guarantee a batch match for colour match products.



## What is Tristone®?

Tristone® is an **acrylic solid surface**, the ideal material that combines practicality, durability, and elegance. It is the perfect material that enables you to create a one-of-a-kind design for limitless self-expression and design possibilities.

Tristone® is seamless, non-porous, resistant to heat, moisture and bacteria. Tristone® can be thermoformed and joined seamlessly. Additionally, inconspicuous joins, integrated sinks, bowls and coved upstands make Tristone® the perfect choice for both residential and commercial applications. The design potential for Tristone® is **limitless**.

## Tristone® is..



### Repairable

Tristone® Surfaces can be repaired to their original state without any evidence of damage.



### Heat Resistant

Tristone® is resistant to heat making it the ideal surface for kitchens, bathrooms, laboratories and many other applications.

### Hygienic

Tristone's® non-porous acrylic surface has countless benefits; with its ability to join seamlessly it can fend off mildew, bacteria and other harmful germs and is stain resistant. As Tristone can be joined seamlessly it is the perfect option for clinical environments.

### Practical

Tristone® is the bespoke choice of the practical minded individual, providing a hygienic surface that is both durable and easy to maintain. It comes in a variety of colours at a competitive price whilst still offering the same "wow factor" that other high quality surfaces such as granite and solid stone products offer. It also offers more practicality when it comes to maintenance and is easier to repair.

### Perfect for projects

Tristone® colours can be customised for special projects to meet your design requirements. The size and concentration of chips can be customised in all current Tristone® colours. Alternatively, colours can be developed to match your colour requirement<sup>3</sup>.



SEE WHAT **YOU**  
CAN DO WITH  
LIMITLESS DESIGN  
POTENTIAL



Design Your Tristone® Kitchen

## Imagine Your Tristone® Bathroom



## Make it Your Tristone® Creation



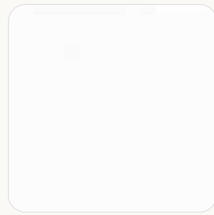
# Colours of Tristone®



Whale White A-119  
HM



Pure White A-104  
HM



Snow Pearl S-203  
HM



Natural Pearl F-309  
HM



Frost Quartz F-111  
HM



Frost Land F-104  
HM



Chalcedony T-001  
HM



Antarctic Ice TS-101  
HM



Iris TS-111  
HM



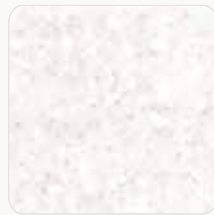
Snow Range ST-009  
HM



Milky Sands S-207  
HM



Cream Sands S-110  
HM



Indian Ocean F-201  
\*



Beige Wales F-106  
HM



Ambiance T-003  
HM



Antelope Canyon S-203  
HM



Milk Shake A-006  
HM



Rainy Sky F-304  
HM



Sweet Peanut F-303  
HM



Beige Sands S-102  
HM



Gold Twilight F-105  
HM



Red Amber S-207  
\*



French Roast S-110  
HM



Rocky Mountain F-201  
HM



Raccoon TS-108  
HM



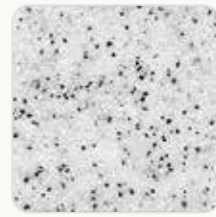
Grise MT-001  
HM



Latona TS-116  
HM



Soft Pearl S-204  
HM



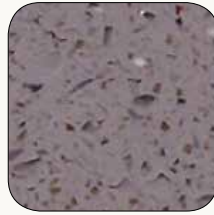
Fog S-201  
HM



Tempest Grey S-111  
HM



Concord F-103  
HM



Ash TS-121  
HM



Black Pepper S-106  
HM



Black Frost S-205  
HM



Night Pearl S-202  
HM



Shell V-004  
HM



Almond V-003  
HM

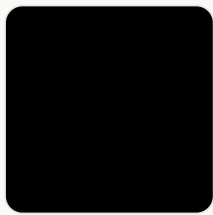


Sinai V-011  
HM



Moria V-019  
HM

### NEBULA DARK SCRATCH COLOURS



Dark Cave A-105-(D)  
HM



Sauron TS-117-(D)  
HM



Night Sky S-119-(D)  
HM



**NEW**  
Galaxy Cluster ST-010-D  
HM



**NEW**  
Uranos TS-212-D  
HM

#### Colour Series

- A** series: Solid colours
  - S** series: Small chips
  - ST** series: Medium chips
  - F** series: Large chips
  - T & B** series: UP chips
  - TS & M** series: Transparent chips
  - V** series: Marbled colours
- Illustrated and actual colours may vary

#### Note

Nebula products marked with: (D) will be available in the regular variant while stocks last.

#### Thickness Available

- 6mm
- 12mm
- 19mm

**\*: Limited Availability**

**M: Metallic Chips**

**H: High Maintenance**

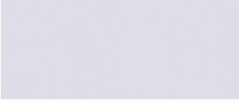
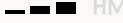







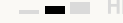

















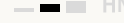






























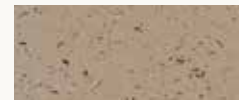
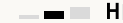










Dark or heavily pigmented colours require more maintenance and attention. These colours are suited for areas with less wear and tear.

**SAMPLE HOTLINE:**

**01642 616880**

Alternatively email:  
samples@tristoneuk.com

# Non UK Stock Colours of Tristone®

 Light Grey S-210 * 	 Deep Sea A-115 	 Mango A-202 * 	 Maple A-203 * 	 Antarctic Snow TS-118 * 
 Athens TS-126 	 Snow Valley TS-122 	 Cirrus F-005 	 Ballast ST-118 	 Irish Cream S-113 * 
 Tigereye B-003 	 Chestnut F-122 	 Duomo MT-003 	 Spodumene B-001 	 Aragon TS-110 * 
 Coconut TS-124 	 Jasper B-006 	 Turmeric B-002 	 Cromium TS-113 * 	 Florence TS-201 
 Adonis TS-120 	 Apollo TS-202 	 Onyx T-005 * 	 Aquamarine F-102 	 Alexandrite T-004 * 
 Silver Pearl S-215 * 	 Grey Pearl S-216 	 Soil ST-116 * 	 Chrysoberyl TS-107 * 	 Caribbean TS-123 
 Gold Amber V-006 	 Moonscape V-008 	 Venice V-007 	 Milk Grotto V-009 * 	 Dark Wood V-005 

## Colour Series

- A** series: Solid colours
- S** series: Small chips
- ST** series: Medium chips
- F** series: Large chips
- T & B** series: UP chips
- TS & M** series: Transparent chips
- V** series: Marbled colours

Illustrated and actual colours may vary

## Thickness Available

-  6mm
-  12mm
-  19mm

\* Available from Europe

**M** Metallic Chips

**H** High Maintenance

Dark or heavily pigmented colours require more maintenance and attention. These colours are suited for areas with less wear and tear.

## Non UK Stock Colours

- Available from Korea
- MOQ 20 sheets per colour
- Lead time 8-12 weeks
- Subject to Terms & Conditions.

## European Colours

- No minimum order quantity
- Lead time 7-10 days
- Subject to availability.
- Delivery surcharge may apply.
- Subject to Terms & Conditions.





**Colour Swatch | Whale White - A119**  
Actual colour may vary from the image provided.

## Technical Specifications

Item	Lion ChemTech	Standard Applied
Water Absorption Coefficient	0.03% (24hrs) 1/2" Sheets	ASTM D570
Hardness Test	92 Rockell M Scale	ASTM D785
Hardness Test	63 Barcol Impressor	ASTM D2583
Pencil Hardness (HRM)	92	KS D 6711
Izod Impact Strength	.26ft-lbs/in of notch	ASTM D256
Tensile Strength	6500 psi	ASTM D638
Tensile Modulus	1.4 x 10 <sup>6</sup> psi	ASTM D638
Ball Drop	>125" 1/2lb steel ball	NEMA LD-3
Flexural Strength	10000 psi	ASTM D790
Flexural Elastic Modulus	1.30 x 10 <sup>5</sup>	ASTM D790
Elongation	0.73%	ASTM D638
Thermal Expasion Coef. (°C)	3.5 x 10 <sup>-5</sup>	ASTM D696
Weatherability	No change - 1000 hours	ASTM D1499
Gloss (60 gardner)		NEMA LD-3
Colour Stability	No change - 200 hours	NEMA LD-3
Thermal Resistance	No change	NEMA LD-3
Boiling Water Resistance	No change	NEMA LD-3
Stain Resistance	Pass Rating 41	ANSI Z 124
Food Zone Acceptability	Accepted/Listed	NSF 51
Fungi and Bacteria	No Growth	ASTM G21
Specific Gravity - Solid Colours	1.74	
Specific Gravity - Other Colours	1.69	
Wear and Cleanability	Pass	
Flammability	Class 1	UBC 8-1
Flame Spread	0-25	ASTM E84
Smoke Density	<25	ASTM E84
Radiant Heat Resistance	No Visual Effect	

## Sheet Specifications

Properties	Unit	Specification
Thickness	mm	6.0, 9.0, 12.0+0.5(-0)
Length	mm	2490, 3070, 3680+20(-0)
Width	mm	760+10.0(-0)
Warp	mm	Less than 1.6 (Width)
Corner Angle	mm	Less than 3.2
Corner Damage	mm	Less than 5.0



## Choosing your ideal Tristone® colours

It is important to understand that certain dark colours, special design patterns and heavily pigmented colours are prone to show scratches, dust, haziness, and ordinary wear and tear more easily than our lighter, textured colours.

The basic composition of Tristone® remains the same however; the pigmentations are of a higher density for certain colours to produce rich, vibrant and other special textures. Highly pigmented colours will require more frequent care and maintenance to keep their appearance.

Dark or vibrant colours or heavily pigmented colours are not recommended in applications where the surface is exposed to heavy use or contact.

## Customise your Tristone® colours

Tristone® colours can be customised for special projects to meet your design requirements. The size and concentration of chips can be customised in all current Tristone® colours. Alternatively, colours can be developed to match your colour requirement. Available for projects which require more than 100 sheets.

## Tristone® Sheet Warranty

10 year limited warranty

### General Terms and Conditions

Lion Chemtech Co., LTD will warrant its Solid Surface materials against manufacture defects for the period of 10 years from the shipment date. This Limited 10-Year Warranty against defective materials only applies to Lion Chemtech's Solid Surface products, which are stored, handled, fabricated, installed, and used in the manner recommended in the Lion Chemtech's Fabrication Manual, Care & Maintenance Guide, Technical Bulletins, and other standards that are known in the Solid Surface industry.

### This warranty does not cover the following:

1. Misuse.
2. Abuse.
3. Improper installation or maintenance.
4. Failure to follow instructions provided in the Tristone™ User Guide including, but not limited to, fabrication, installation, care, maintenance, etc.
5. Physical, chemical or other abuse including, but not limited to, damage from improper cleaning solutions such as bleach or drain cleaner, damages from vandalism, stains, scratches, water spots, and dropping of heavy/sharp objects.
6. Excessive heat exposure to a degree that would cause the product to display white marks, cracks and other unreasonable defect.
7. Acts of nature including, but not limited to, weather effects, fire, flood extreme exposure to the outdoors.
8. Removal or dissatisfaction in appearance of accessory items including, but not limited to, joints, seams, adhesive, caulk, etc.
9. Minor conditions such as scratches, stains, burn marks, water stops and other. Due to the unique properties of Tristone™ Solid Surfaces, these minor conditions can be corrected by following techniques specified in the Tristone™ Care & Maintenance Guide.
10. Poor workmanship of the fabricator or installer.
11. Color variation from the sample.
12. Damages from other than manufacturing defect.

# Fortis

## Preformed Worktops

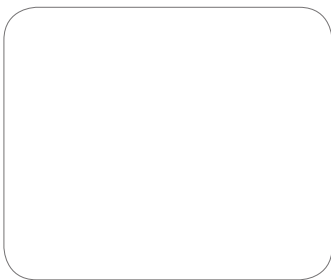


**Colour | Pure White - A104**  
Actual colour may vary from the image provided.

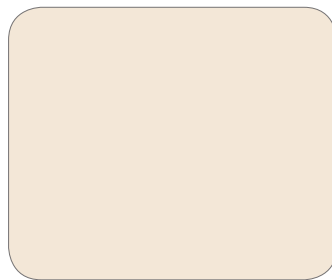
### Features of Fortis®

Fortis®: Pre-formed worktops offer all the best qualities of a solid surface material for your kitchen or bathroom. There are 8 colours in our Fortis® range. Fortis® is made up of 6mm Tristone Solid Surface material on moisture resistant MDF. This gives your kitchen or bathroom a bespoke quality look and feel.

### Colours of Fortis



Pure White



Milk Shake



Irish Cream



Gold Twilight



Tempest Grey



Black Pepper



Dark



Ebony

## Fortis Product Specifications



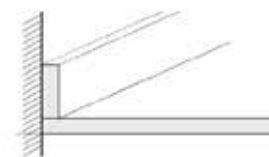
### Worktop

1500mm x 650mm x 38mm  
3000mm x 650mm x 38mm



### Splash Back

1500mm x 760mm x 6mm  
3000mm x 760mm x 6mm



### Up stand

1500mm x 100mm x 6mm  
3000mm x 100mm x 6mm

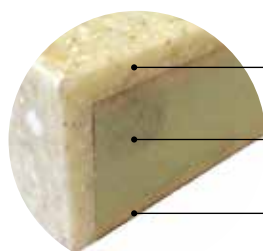
### Breakfast Bar

1000mm x 900mm x 38mm



### Edging Strips

3000mm x 40mm x 6mm



### Tristone Solid Surface

6mm

### Moisture Resistant MDF core

30mm

### White Balancer

0.2mm

## Fortis 38mm Pre-formed Worktop Warranty

1 year limited warranty

### General Terms and Conditions

During this period, we exchange faulty products or give you a full refund in case the product fails to meet your expectations due to factors falling within our range of responsibilities. The warranty covers any splitting, cupping, warping, de-laminating, join separation, or any other damage that occurs because of faulty fabrication. The warranty does not apply to damages occurring due to improper handling, or faulty installation of the product. Each worktop comes with a list of care and maintenance rules that must be followed. Failure to comply with these regulations voids your warranty. Any damages due to transportation must be reported to Tristone UK Ltd immediately. Tristone UK Ltd must be notified within 72 hours of receipt of goods as per our damaged in transit claim policy. We do not cover any costs associated with dismantling and transporting the returning goods.

The following colours will require more maintenance: Dark, Ebony, Black Pepper.

### Tristone UK Ltd will not accept any warranty claims for:

1. Usual wear and tear - scratches, haziness, and marking for any residential or commercial applications.
2. Poor installation and care & maintenance.
3. Dissatisfaction with appearance of joints or seams, and adhesive.
4. Poor application: any product moved from their original place of installation or wrong application for the product.

In cases where you have followed the guidelines above and is found to be unsatisfactory, please contact our office.

# Introducing:

## Cast Sinks and Bowls by Tristone UK Limited



### Cabinet Compatibility Checked

Most of the sinks in our ranges are compatible with standard 600mm cabinets.

**Please note:** Some sinks may require further modifications or larger cabinets.

Our Cast Sinks and Bowls are available in various models. They are not only premium quality but are also bacteria resistant, easy to clean and maintain. They can be under-mounted which gives you a perfectly integrated design.

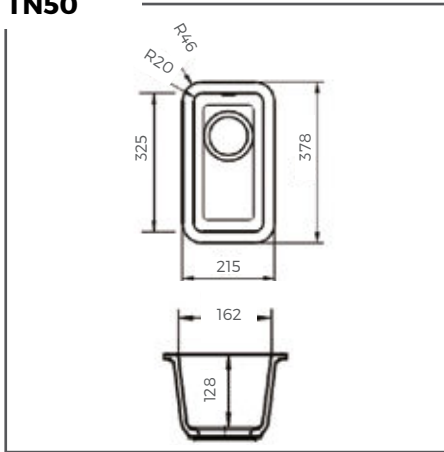
	Model	Internal Dimensions (mm)	Colour	Overflow		Minimum Cabinet Size	Warranty
				With	Without		
Kitchen Sinks	TN50	325 x 162 x 128	White		*	600mm	1 Year Limited Warranty
	TN100	325 x 449 x 168			*		
	JK104	400 x 400 x 205			*		
	JK105	360 x 260 x 120			*		
	JK204	448 x 562 x 532			*		
	GCTK0151	296 x 151 x 143		*	*		2 Year Limited Warranty
	GCTK0396	396 x 395 x 208		*	*		
	GDTK0513	410 x 513 x 215		*	*		
JK302	410 x 330 x 150		*	1 Year Limited Warranty			
Bathroom Bowls	GTR0350	350 x 350 x 155	*	*	600mm	2 Year Limited Warranty	
	GTR0370	370 x 370 x 146	*	*			
	GTE0370	370 x 265 x 135	*	*			
	GTE0415	330 x 415 x 138	*	*			
	GTE0462	462 x 369 x 158	*	*			
	GTE0504	504 x 355 x 160	*	*		2 Year Limited Warranty	
	GTE0505	505 x 340 x 154	*	*			
	GTLO560	560 x 368 x 112	*	*			
	GTP0500	500 x 300 x 99	*	*			
	GTP0550	550 x 370 x 92	*	*			

**Please note:** Cabinet compatibility has been provided as a guide

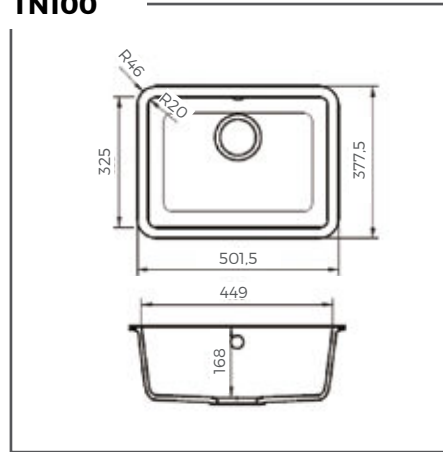
## Cast Sinks & Bowls



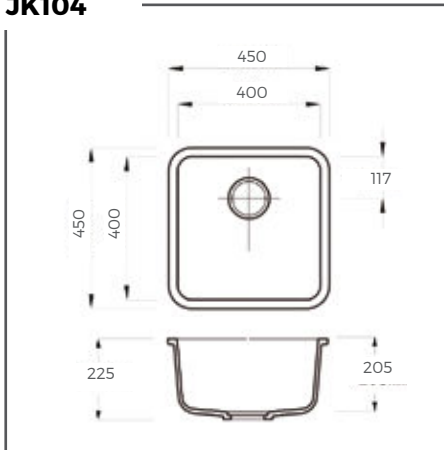
**TN50**



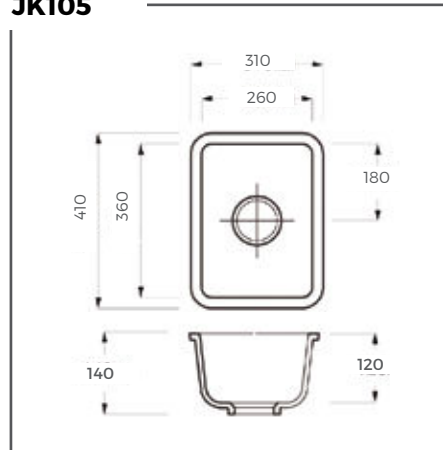
**TN100**



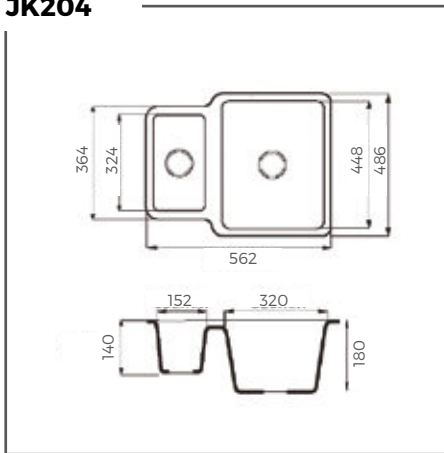
**JK104**



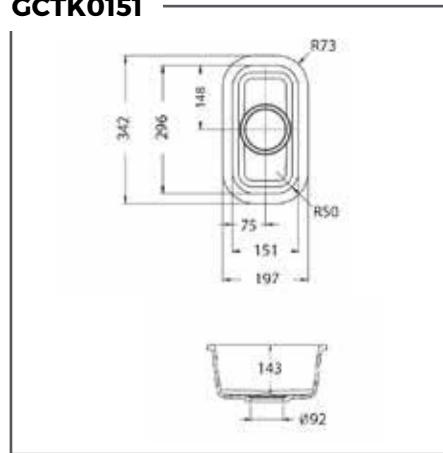
**JK105**



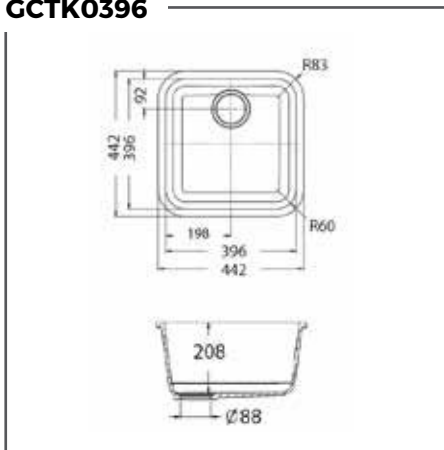
**JK204**



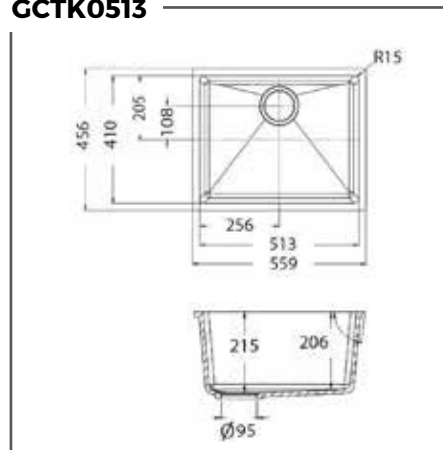
**GCTK0151**



**GCTK0396**



**GCTK0513**



### Cast Sinks & Bowls

#### Product Information

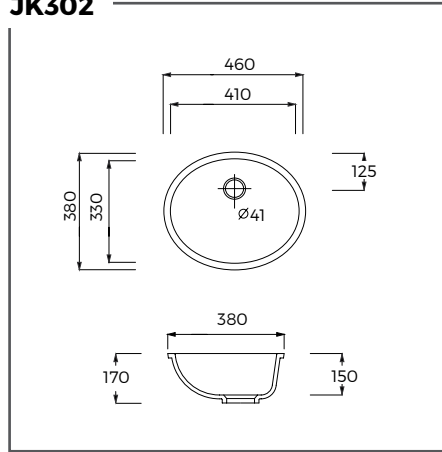
- White Sinks & Bowls
- Undermount
- Cast sinks are available from UK stock
- TN and JK sinks & bowls come without overflow
- G series sinks & bowls are available with or without overflow
- Accessories are not included.
- Compatible with 600mm standard cabinets.
- Other customised designs and colours are available upon request for large quantity orders.

**Disclaimer:** We do not guarantee an exact colour match on the cast sinks with pure white sheets. This is due to the different manufacturing process.

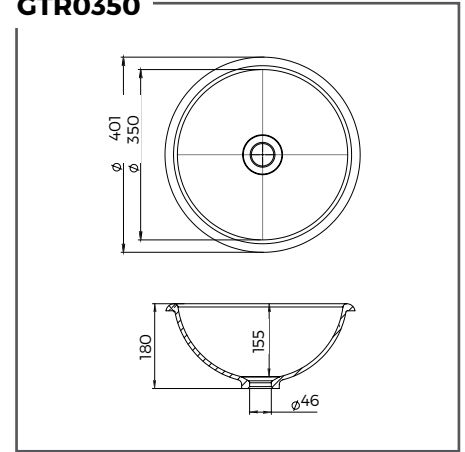
## Cast Sinks & Bowls



**JK302**



**GTR0350**



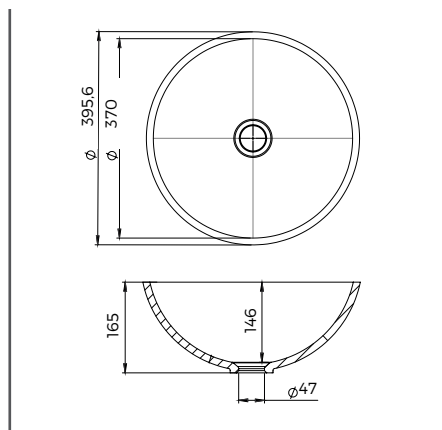
## Cast Sinks & Basins

### Product Information

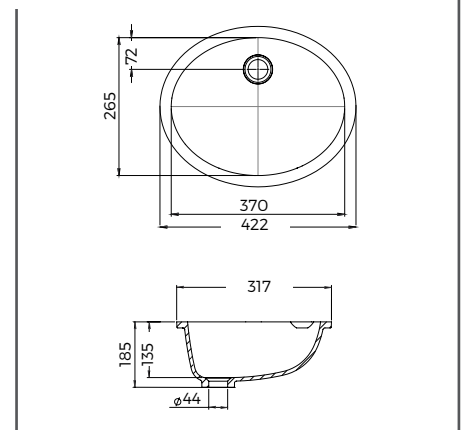
- White Sinks & Bowls
- C series sinks & bowls are available with or without overflow
- Accessories are not included.
- Compatible with 600mm standard cabinets.
- Other customised designs and colours are available upon request for large quantity orders.

**Disclaimer:** We do not guarantee an exact colour match on the cast sinks with pure white sheets. This is due to the different manufacturing process.

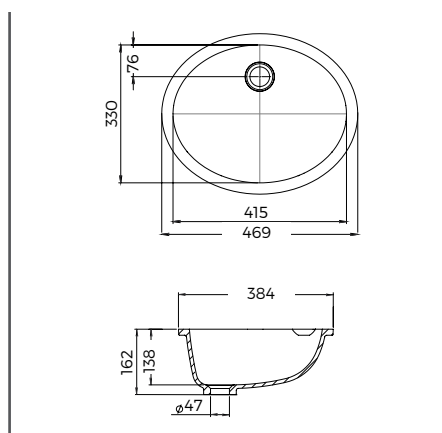
**GTR0370**



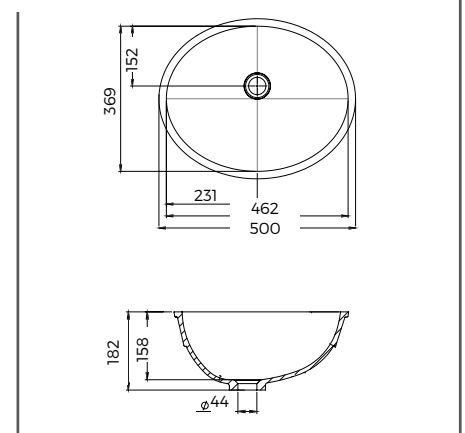
**GTE0370**



**GTE0415**

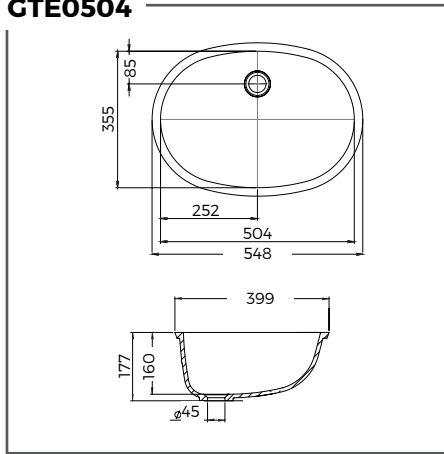


**GTE0462**

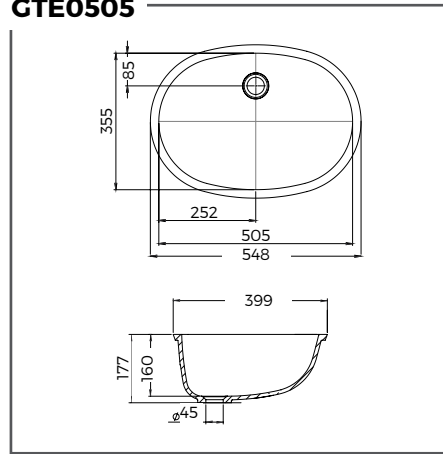


## Cast Sinks & Bowls

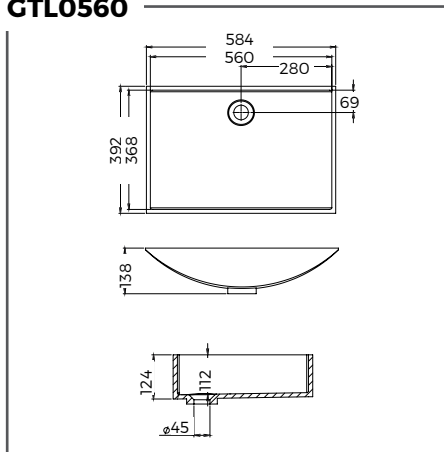
GTE0504



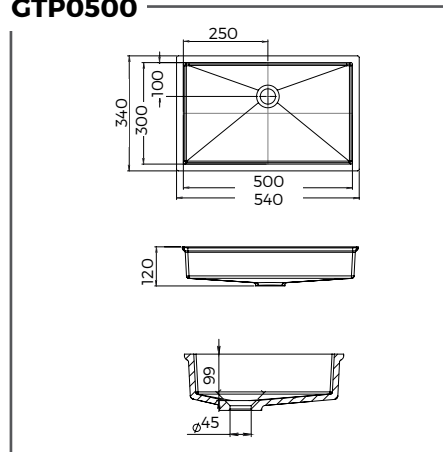
GTE0505



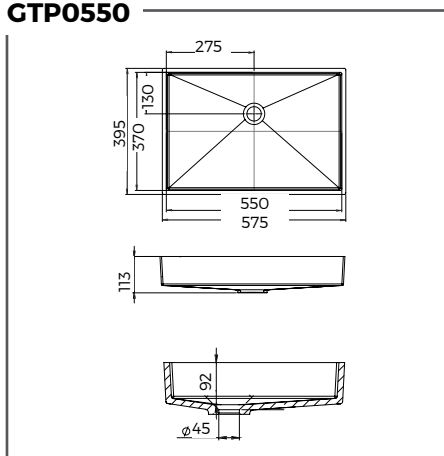
GTL0560



GTP0500



GTP0550



## Cast Sinks & Bowls

### Product Information

- White Sinks & Bowls
- Undermount
- G series sinks & bowls are available with or without overflow
- Accessories are not included.
- Compatible with 600mm standard cabinets
- Other customised designs and colours are available upon request for large quantity orders.

**Disclaimer:** We do not guarantee an exact colour match on the cast sinks with pure white sheets. This is due to the different manufacturing process.





# Find the centrepiece to your kitchen with Bekjo® Stainless Steel Sinks

## Features of Bekjo®

Bekjo® stainless steel sinks are handmade and produced to the highest manufacturing standards. The sinks are made from premium grade 1.2mm POSCO steel which offers a consistent and luxurious appearance whilst also bringing innovations to make your kitchen and your home more hygienic and beautiful.



### **Cabinet Compatibility Checked**

Most of the sinks in the Bekjo® range are compatible with larger cabinet sizes.

### **Handmade with Premium POSCO Steel**

Bekjo® sinks are individually made with premium POSCO steel. The sinks go through a thorough and extensive process to ensure that they are of the highest quality.

### **Coni Clear Technology**

Bekjo® sinks come with a coating which brings the added benefits of being able to withstand corrosion, salt content, general wear and tear, chemical changes, and bacterial growth.

### **Sound Absorption Technology**

Bekjo® sinks come attached with rubber pads to reduce noise and vibrations from the impact of dishes, and kitchenware, and water flow.



Bekjo  
SINKSFind the centrepiece  
to your kitchen!

| SQS1717

Model		External Dimensions (mm)	Internal Dimensions (mm)	Minimum Cabinet Size
SQS500	Sink	550 x 450 x 234	500 x 400 x 225	600mm
	Base (1.2mm)	-	500 x 410 x 1.2	
	Base (15mm)	-	500 x 410 x 15	
SQS780	Sink	830 x 450 x 228	780 x 400 x 220	800mm
	Base (1.2mm)	-	780 x 400 x 1.2	
	Base (15mm)	-	780 x 400 x 15	
SQS1717	Sink	835 x 455 x 266	380 x 405 x 259 2 each	1000mm
SQS2311	Sink	855 x 455 x 265	533 x 405 x 258 230 x 405 x 213	1000mm
BD813L	Sink	813 x 525 x 229	330 x 420 x 171 400 x 470 x 219	1000mm
BD813R	Sink	813 x 525 x 229	400 x 470 x 219 330 x 420 x 171	1000mm
SQS0230	Base (1.2mm)	-	230 x 410 x 1.2	600mm
	Base (15mm)	-	230 x 410 x 15	
SQS0380	Base (1.2mm)	-	380 x 410 x 1.2	600mm
	Base (15mm)	-	380 x 410 x 15	
LD0950	Base (1.2mm)	-	910 x 330 x 1.2	1000mm
RS0490	Base (1.2mm)	-	R380 x 1.2	600mm
IS0530	Base (1.2mm)	-	500 x 390 x 1.2	600mm

**Please note:** Cabinet compatibility has been provided as a guide.

## Product Information

- Underlay/overmount.
- Sinks only available with overflow.

## Base Only Models



1.2mm base



15mm base

These base only models allow you to combine the benefits of Bekjo premium stainless steel and Tristone® to create your colour match sink.

## Stainless Steel Sinks

by Bekjo



## Stainless Steel Sinks

### Product Information

- Underlay/Overmount
- Only available with overflow
- Select models also available as 1.2 or 15mm base only.
- Accessories included: wire basket

### Product Dimensions

**M:** Minimum Cabinet Size  
**T:** Size of Sink (External Dimensions)  
**B:** Bowl Size  
**H:** Drain size

*All dimensions are in mm  
For all products in this range there is room for measurement error of ±3mm*

### SQS500



**M:** 600  
**T:** 550 x 450 x 234  
**B:** 500 x 400 x 225  
**H:** 89

### SQS780



**M:** 1000  
**T:** 830 x 450 x 228  
**B:** 780 x 400 x 220  
**H:** 89

### SQS1717



**M:** 1000  
**T:** 835 x 455 x 266  
**B:** 380 x 405 x 259 (2ea)  
**H:** 89

### SQS2311



**M:** 1000  
**T:** 850 x 455 x 265  
**B:** 533 x 405 x 258  
**B<sup>2</sup>:** 230 x 405 x 213  
**H:** 89

### BD813L



**M:** 1000  
**T:** 813 x 525 x 229  
**B:** 400 x 470 x 219  
**B<sup>2</sup>:** 330 x 420 x 171  
**H:** 89

### BD813R



**M:** 1000  
**T:** 813 x 525 x 229  
**B:** 400 x 470 x 219  
**B<sup>2</sup>:** 330 x 420 x 171  
**H:** 89





## Care and Maintenance of your Bekjo sink

### Cleaning

When first used, wash it with a neutral detergent.  
 Rub the surface with water until bubbles aren't observed.  
 Do not keep water in the bowl too long.  
 Wipe out the bowl with a dry cloth often to keep it clean.

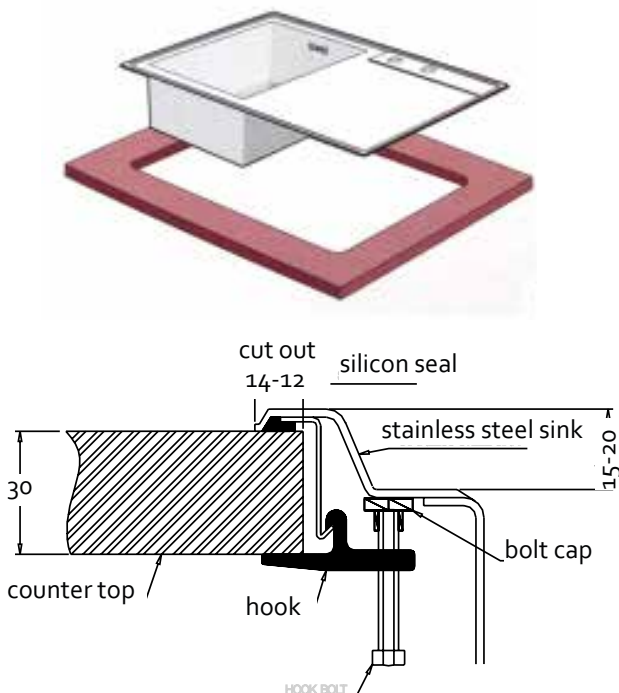
### Preventing Damage

Keep hydrochloric acid, sulphuric acid and bleach away from the stainless surface.  
 Do not leave the sink bowl stained with food waste.  
 Metal scourers may scratch the stainless steel surface. It is recommended that a sponge is used when cleaning the inside of the sink bowl.

## Fitting your Bekjo sink

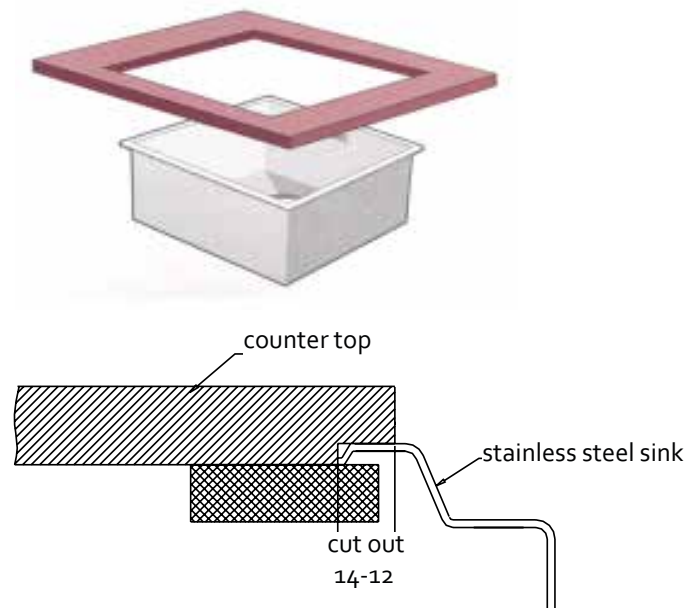
### INSET Sink Mount Type

The sink/bowl is installed over mount.  
 The size of the tops follows the regulations of measuring 12mm from the wing's outer diameter.



### UNDER Sink Mount Type

The sink/bowl is installed under mount.  
 The size of the tops follows the regulations of measuring 4mm from the wing's inner diameter.



# Introducing:

# Thermoformed Sinks and Bowls

by Tristone UK Limited

## Features of our Sinks and Bowls

Our thermoformed sinks, bowls, and basins are available in our Tristone® UK stock colours. They are made to order and offer the same properties as the Tristone® Solid Surface. For a seamless kitchen or bathroom solution, our colour matched sinks and bowls are the perfect way to make your Tristone® creation a reality.



### Cabinet Compatibility Checked

Most of our sinks, bowls and basins are compatible with 600mm standard cabinets.

**Please note:** Some sinks may require further modification or larger cabinets.



### Colour Match Products Available<sup>1</sup>

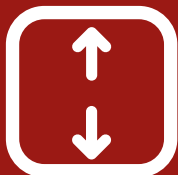
Thermoformed sinks and bowls are made with Tristone® solid surface sheets, which allows your design to be fully integrated and seamless.

Please refer to the colour availability table for further information on availability.



### Multiple Base Options Available

Our kitchen sinks come in 3 different base options depending on the model range: Flat Stainless Steel, 20mm Stainless Steel and Solid Surface Base<sup>2</sup>



### Multiple Depth Options Available

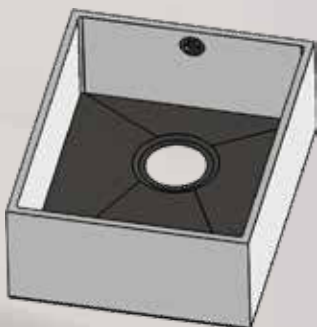
We have 3 depths available for our sinks, bowls and basins. Our sink are available in standard depth (see dimension images), 170mm, and 190mm.

<sup>1</sup>We do not guarantee a batch match for colour match products.

<sup>2</sup>Solid Surface bases are not covered by the 5 year warranty.

# Thermoformed Sinks and Bowls

by Tristone UK Limited



## DTK0332

- Available in all Tristone UK stock colours
- Undermount
- Available with/without overflow
- Sink depths available in standard, 170mm and 190mm deep.

**Pure White - A104**

Actual colour may vary from the image provided.

# Thermoformed Sinks

by Tristone UK

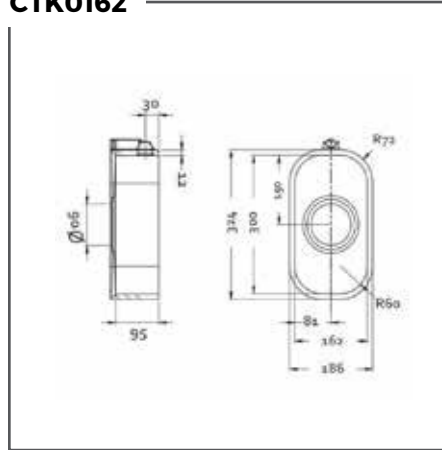


## CTK Models

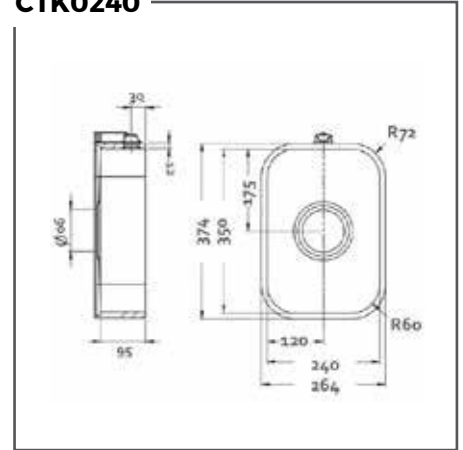
### Product Information

- Available in all Tristone UK stock colours
- Undermount
- Base options: standard flat stainless steel or solid surface base.
- Available with/without overflow
- Sink depths available in standard, 170mm and 190mm deep.
- Technical drawings are available upon request.
- Warranty information is available on request.
- Solid Surface bases aren't covered by the 5 year limited warranty.
- Accessories Included.

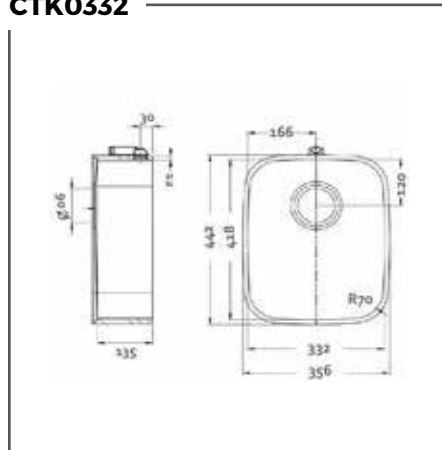
CTK0162



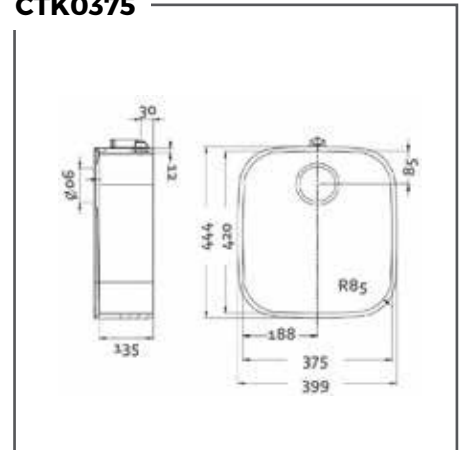
CTK0240



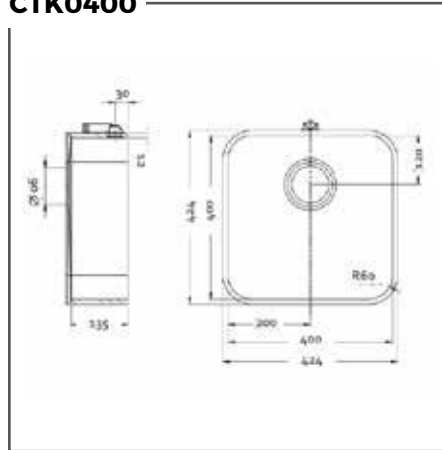
CTK0332



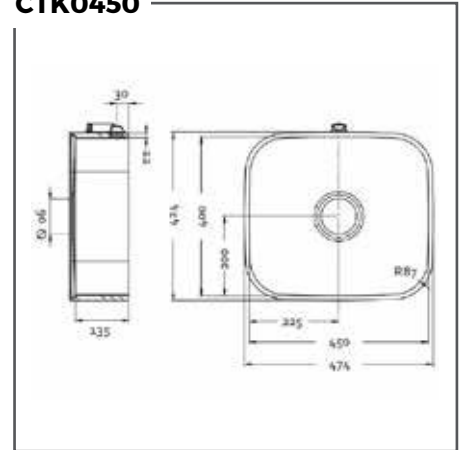
CTK0375



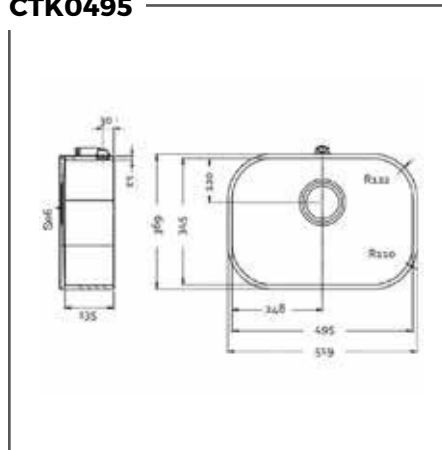
CTK0400



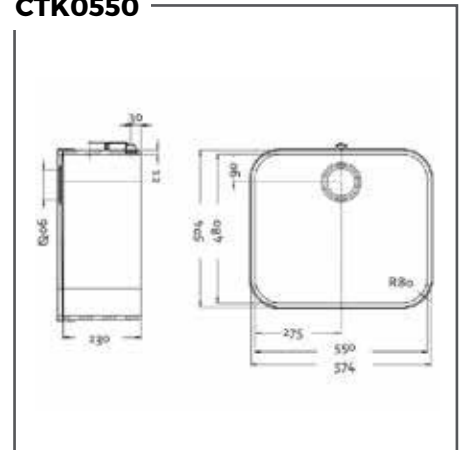
CTK0450



CTK0495



CTK0550



Model	Cabinet Compatibility
CTK0162	600mm
CTK0240	
CTK0332	
CTK0375	
CTK0400	
CTK0450	
CTK0495	
CTK0550	

**Please note:** Cabinet compatibility has been provided as a guide.

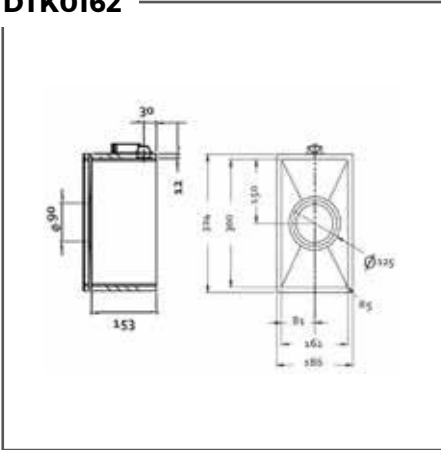
All diagrams show standard flat stainless steel base models.

## Thermoformed Sinks

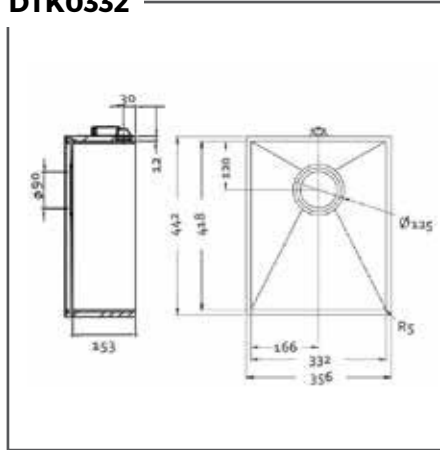
by Tristone UK



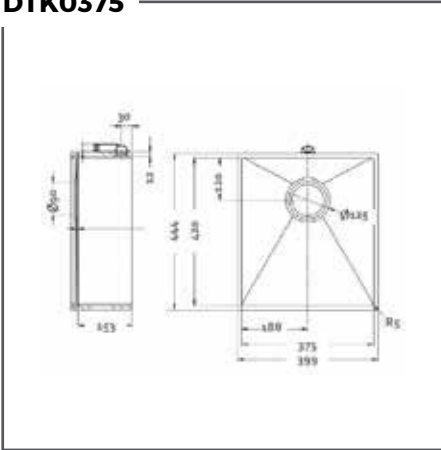
DTK0162



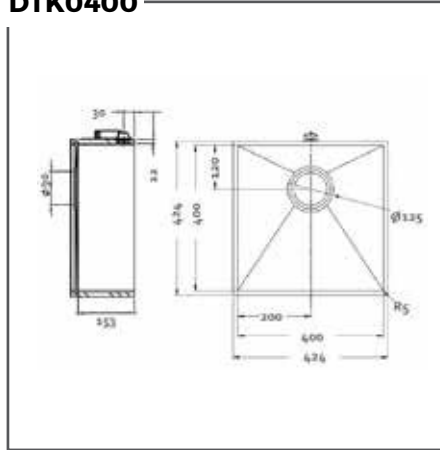
DTK0332



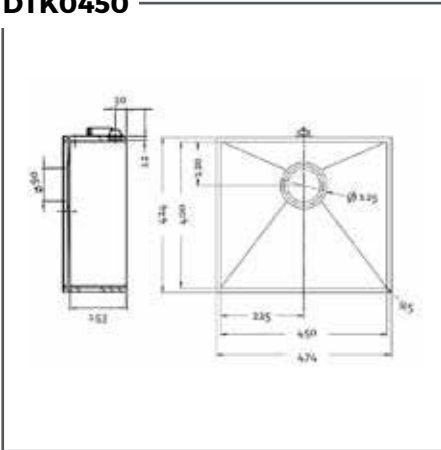
DTK0375



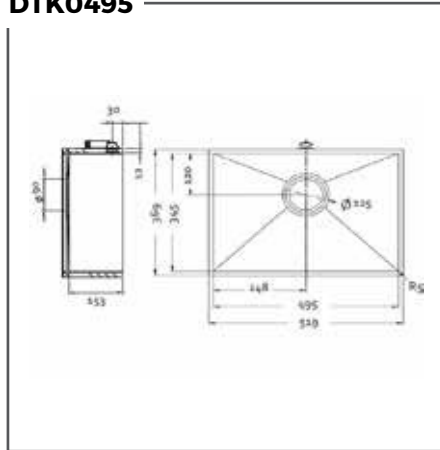
DTK0400



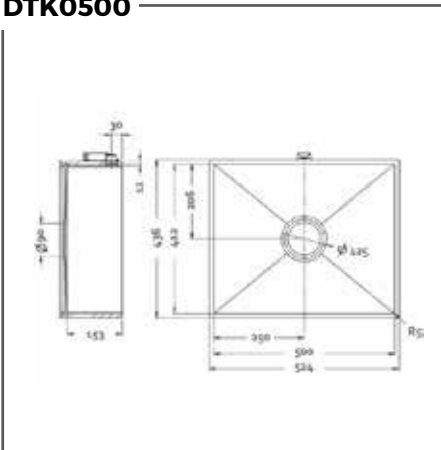
DTK0450



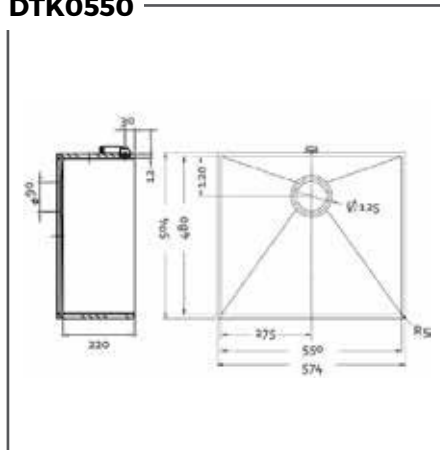
DTK0495



DTK0500



DTK0550



### DTK Models

#### Product Information

- Available in all Tristone® UK stock colours
- Undermount
- Base options: standard flat stainless steel, 20mm stainless steel or solid surface base.
- Available with/without overflow
- Sink depths available in standard, 170mm and 190mm deep.
- Technical drawings are available upon request.
- Warranty information is available on request.
- Solid Surface bases aren't covered by the 5 year limited warranty.
- Accessories Included.

Model	Cabinet Compatibility
DTK0162	600mm
DTK0332	
DTK0375	
DTK0400	
DTK0450	
DTK0495	
DTK0500	
DTK0550	

**Please note:** Cabinet compatibility has been provided as a guide.

All diagrams show standard flat stainless steel base models.

# Thermoformed Bowls

by Tristone UK

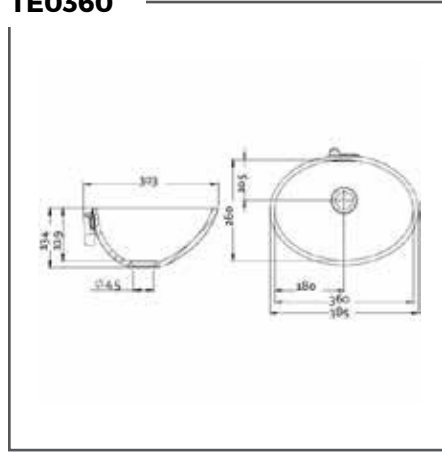


## TE Models

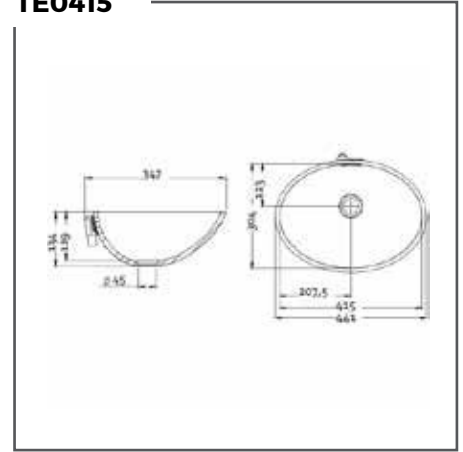
### Product Information

- TE Models are available in Tristone® UK stock colour series A, S, F, ST, & T.
- Undermount
- Available with/without overflow
- Technical drawings are available upon request.
- Warranty information is available on request.
- Accessories Included.

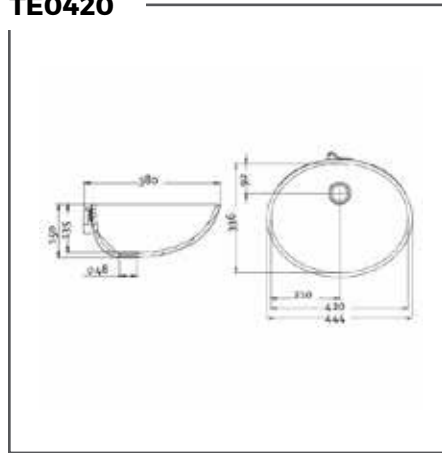
TE0360



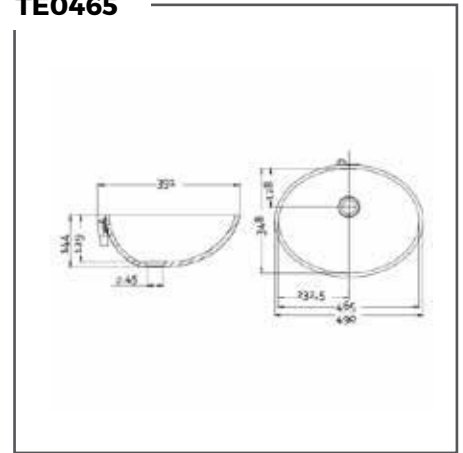
TE0415



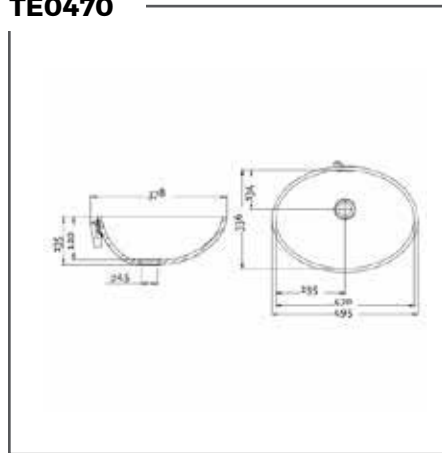
TE0420



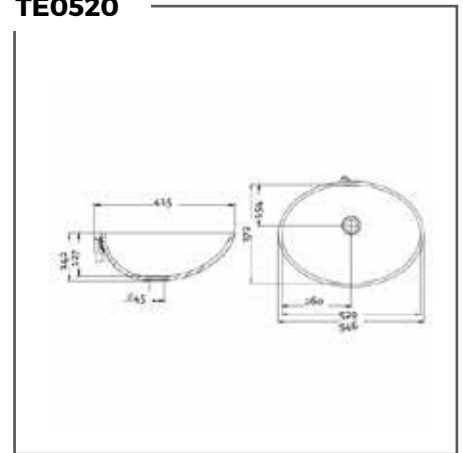
TE0465



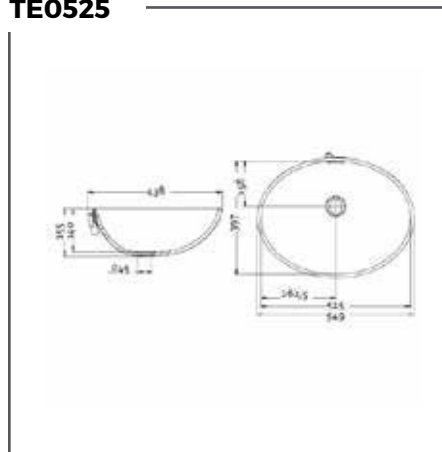
TE0470



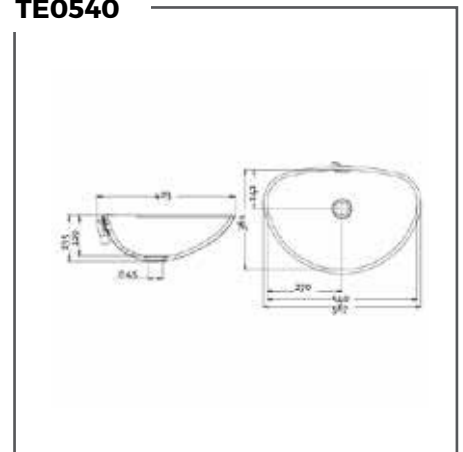
TE0520



TE0525



TE0540



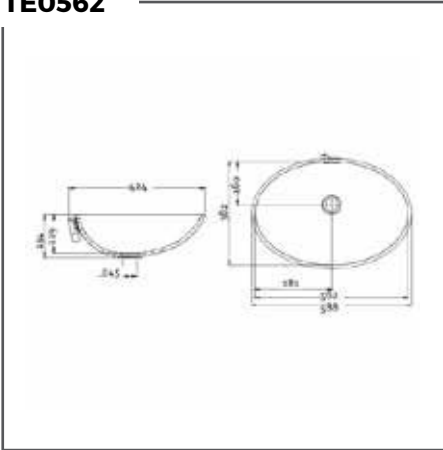
Model	Cabinet Compatibility
TE0360	
TE0415	
TE0420	
TE0465	
TE0470	600mm
TE0520	
TE0525	
TE0540	
TE0562	
TE0653	800mm
TE0656	

**Please note:** Cabinet compatibility has been provided as a guide.

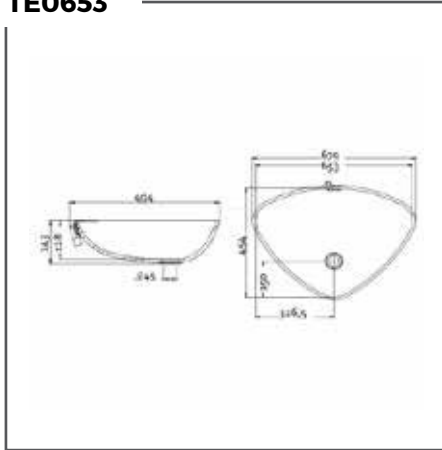
Due to batch variation we do not guarantee an exact colour match on all our bowl and basin models.



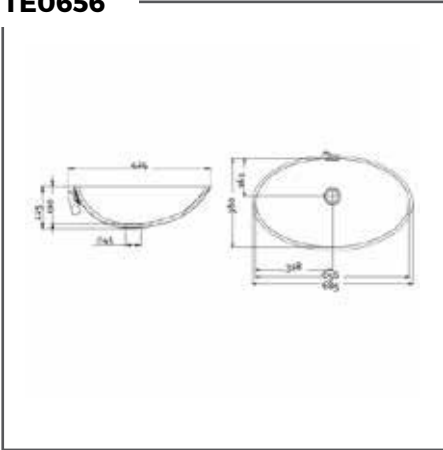
TE0562



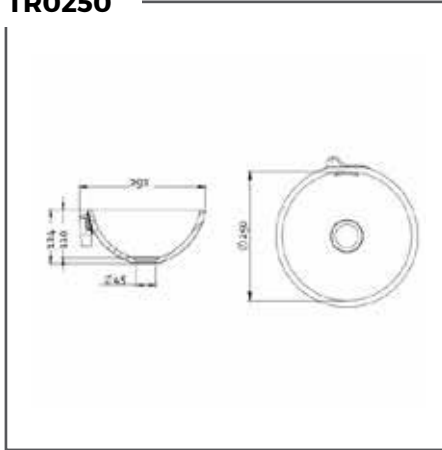
TE0653



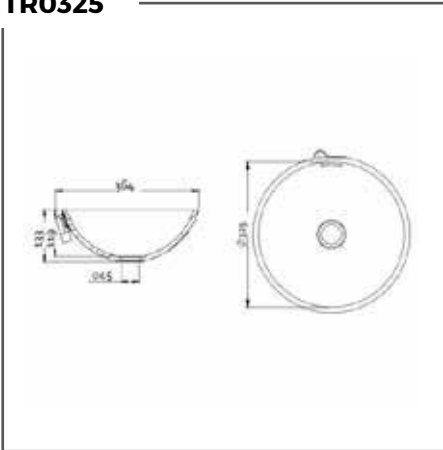
TE0656



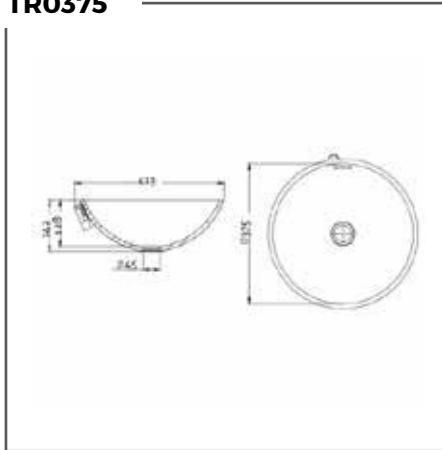
TR0250



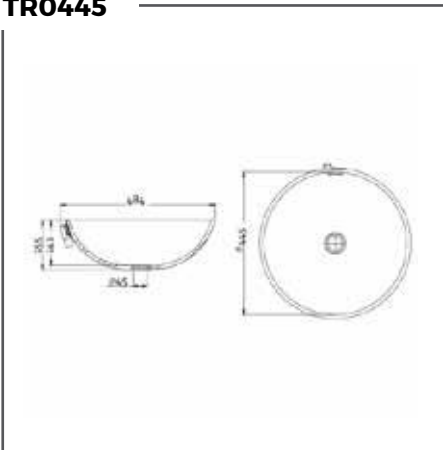
TR0325



TR0375



TR0445



## Thermoformed Bowls

by Tristone UK



### TR Models

#### Product Information

- TR Models are available in Tristone® UK stock colour series A, S, F, ST & T.
- Undermount
- Available with/without overflow
- Technical drawings are available upon request.
- Warranty information is available on request.
- Accessories Included.

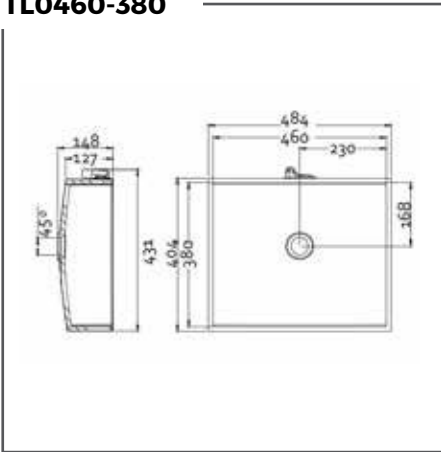
Model	Cabinet Compatibility
TR0250	600mm
TR0325	
TR0375	
TR0445	

**Please note:** Cabinet compatibility has been provided as a guide.

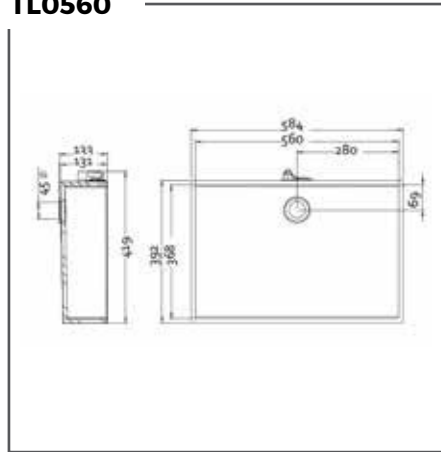
Due to batch variation we do not guarantee an exact colour match on all our bowl and basin models.



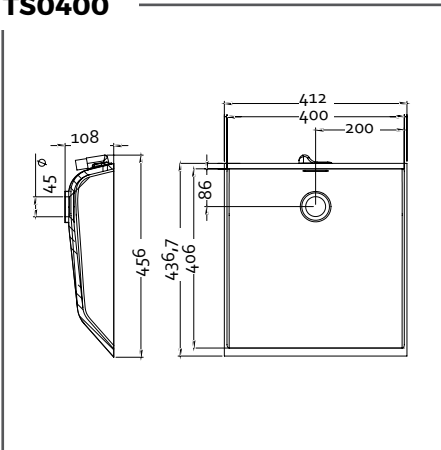
TL0460-380



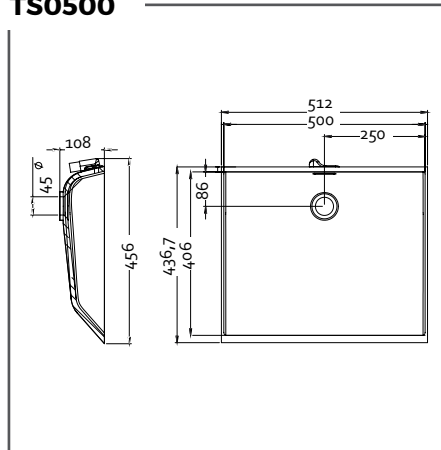
TL0560



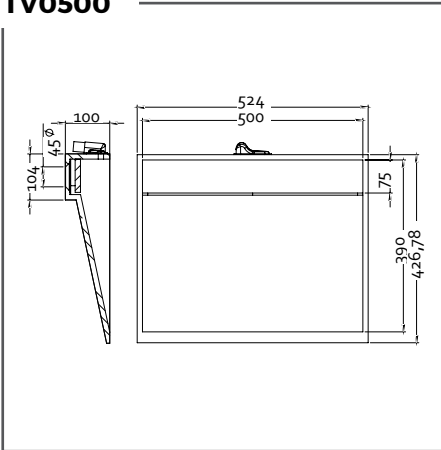
TS0400



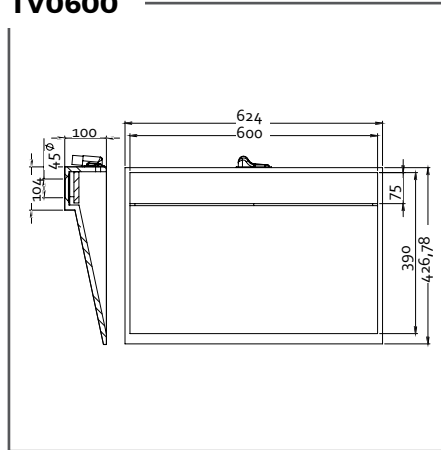
TS0500



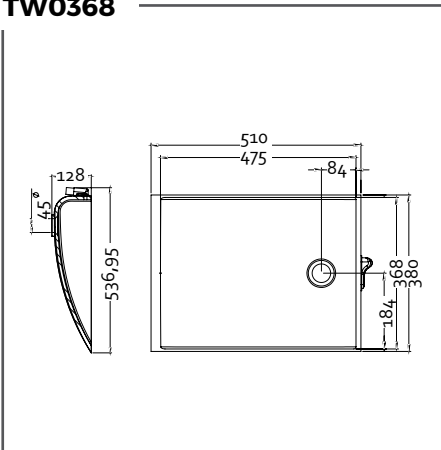
TV0500



TV0600



TW0368



## Thermoformed Basins

by Tristone UK



### TS, TV & TW Models

#### Product Information

- Available in all Tristone® UK stock colours
- Undermount
- Available with/without overflow
- Technical drawings are available upon request.
- Warranty information is available on request.
- Accessories Included.

Model	Cabinet Compatibility
TL0460-380	
TL0560	
TS0400	600mm
TS0500	
TV0500	
TV0600	800mm
TW0368	600mm

**Please note:** Cabinet compatibility has been provided as a guide.

Due to batch variation we do not guarantee an exact colour match on all our bowl and basin models.

# Thermoformed Basins

by Tristone UK

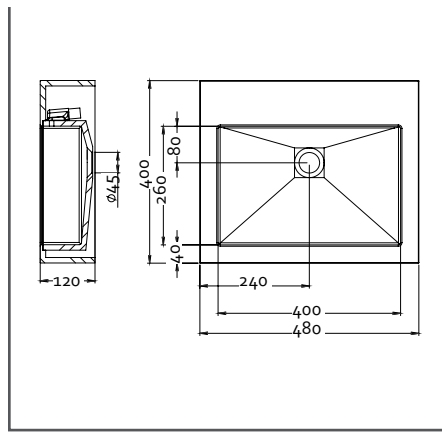


## AT Models

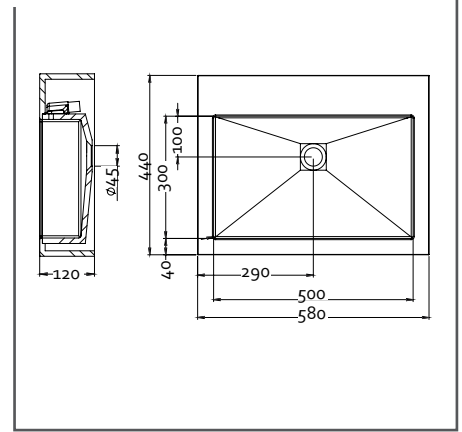
### Product Information

- Available in all Tristone® UK stock colours
- Top-Drop Basins
- Available with/without overflow
- Technical drawings are available upon request.
- Warranty information is available on request.
- Accessories Included.

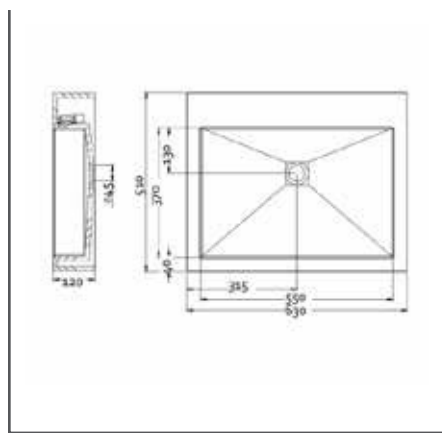
**ATP0400**



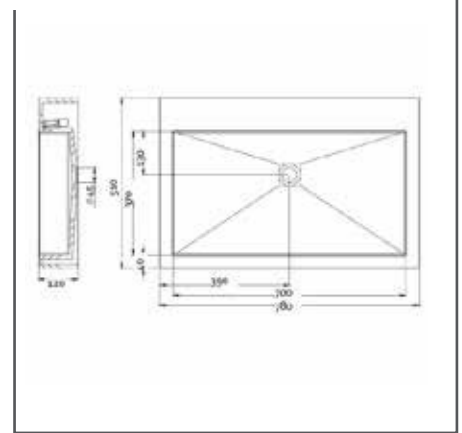
**ATP0500**



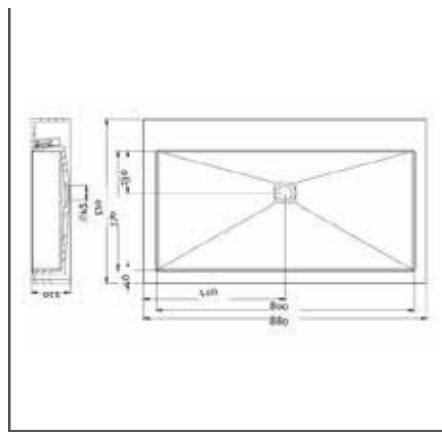
**ATP0550**



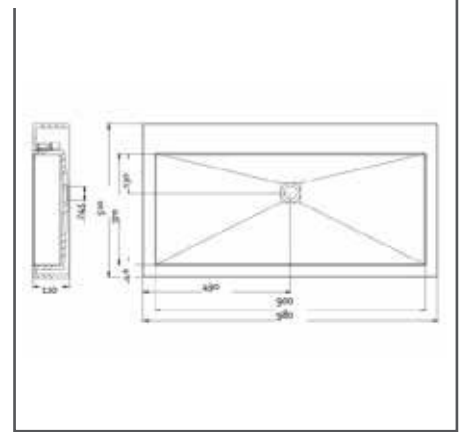
**ATP0700**



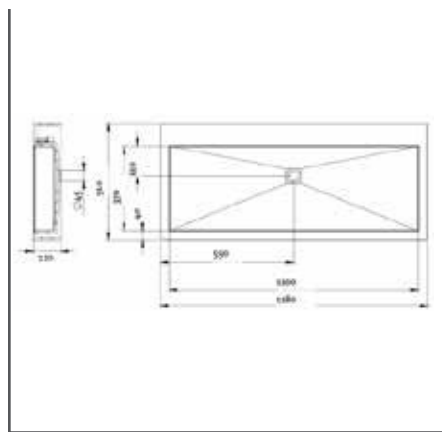
**ATP0800**



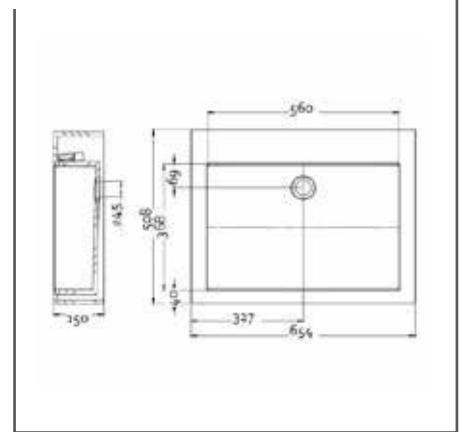
**ATP0900**



**ATP1100**



**ATL0560**



Model	Cabinet Compatibility
ATP0400	
ATP0500	600mm
ATP0550	
ATP0700	800mm
ATP0800	1000mm
ATP0900	1000mm
ATP1100	1200mm
ATL0560	600mm

**Please note:** Cabinet compatibility has been provided as a guide.

Due to batch variation we do not guarantee an exact colour match on all our bowl and basin models.



## Thermoformed Sinks, Bowls, Basins Warranty

5 year limited warranty

### General Terms and Conditions

The thermoformed sinks and bowls come with a 5-year limited warranty.

The warranty does not cover any damages incurred after use which includes scratches, especially on solid surface bottom sinks. Any damages caused by improper use of the mouldings. Faults in case of an inappropriate further processing by the fabricator. Care is taken to ensure our sinks & bowls leave the factory in excellent condition. Any faults or defects should be notified to the office before fitting.

Thermoformed Sinks [CTK/DTK/TK Models] Solid surface bases do not conform to CE standards according to DIN14688th, thus, neither Tristone UK Limited nor the manufacturer can assume any liability for failure of the product after installation.

**For more information about Warranty for Tristone or Thermoformed Sink/Bowl, please contact Tristone UK Limited.**

## Accessories for Tristone®

### Applicator Gun

Compatible with 250ml Adhesives



### Applicator Gun

Compatible with 75ml & 50ml Adhesives



### 75ml Applicator Gun Plunger

Compatible with 75ml & 50ml Applicator Guns



### 75ml Adhesive

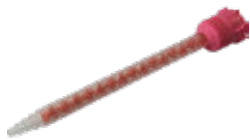


### 250ml Adhesive



### Mixer Tips

Compatible with 50/75ml Adhesives



### Mixer Tips

Compatible with 250ml Adhesives



### Single Waste Kit

Compatible with our sink models



### Double Waste Kit

Compatible with our sink models



## Caring for your Tristone® products



### UNIKA Care and Maintenance Kit

- |                                       |                                |
|---------------------------------------|--------------------------------|
| 1 x 500ml Solid Surface Rejuvenate    | 1 x Abrasive Disc Pad - White  |
| 1 x 500ml Solid Surface Daily Cleaner | 1 x Abrasive Disc Pad - Maroon |
| 1 x Mircofibre Cloth                  | 1 x Abrasive Disc Pad - Grey   |
| 1 x Disposable gloves                 | 1 x Care & Maintenance Guide   |
| 1 x Sanding Foam Pad                  |                                |



### UNIKA Installation Kit

- |                                       |                                |
|---------------------------------------|--------------------------------|
| 10 x 80 grit sanding discs            | 1 x Mircofibre Cloth           |
| 10 x 180 grit sanding discs           | 1 x Disposable gloves          |
| 10 x 240 grit sanding discs           | 1 x Sanding Foam Pad           |
| 10 x 320 grit sanding discs           | 1 x Abrasive Disc Pad - White  |
| 10 x 400 grit sanding discs           | 1 x Abrasive Disc Pad - Maroon |
| 1 x Light Duty abrasive pad           | 1 x Abrasive Disc Pad - Grey   |
| 1 x 500ml Solid Surface Rejuvenate    | 1 x Care & Maintenance Guide   |
| 1 x 500ml Solid Surface Daily Cleaner |                                |



### UNIKA Solid Surface Rejuvenate

For polishing the surface to its original finish.



### UNIKA Solid Surface Daily Cleaner

For daily use to maintain the surface



### Countertop Cleaner

For removing stains and blemishes on the Tristone surface.

Tristone UK Limited  
Unit 3, Orde Wingate Way  
Primrose Hill Industrial Estate  
Stockton-On-Tees  
TS19 0GA

e | [info@tristoneuk.com](mailto:info@tristoneuk.com)  
t | +44(0)1642 616880

**Copyright © Tristone UK Limited. All rights reserved.**

Tristone by Lion Surfaces and its logos are registered trademarks of Tristone UK Limited in the United Kingdom.